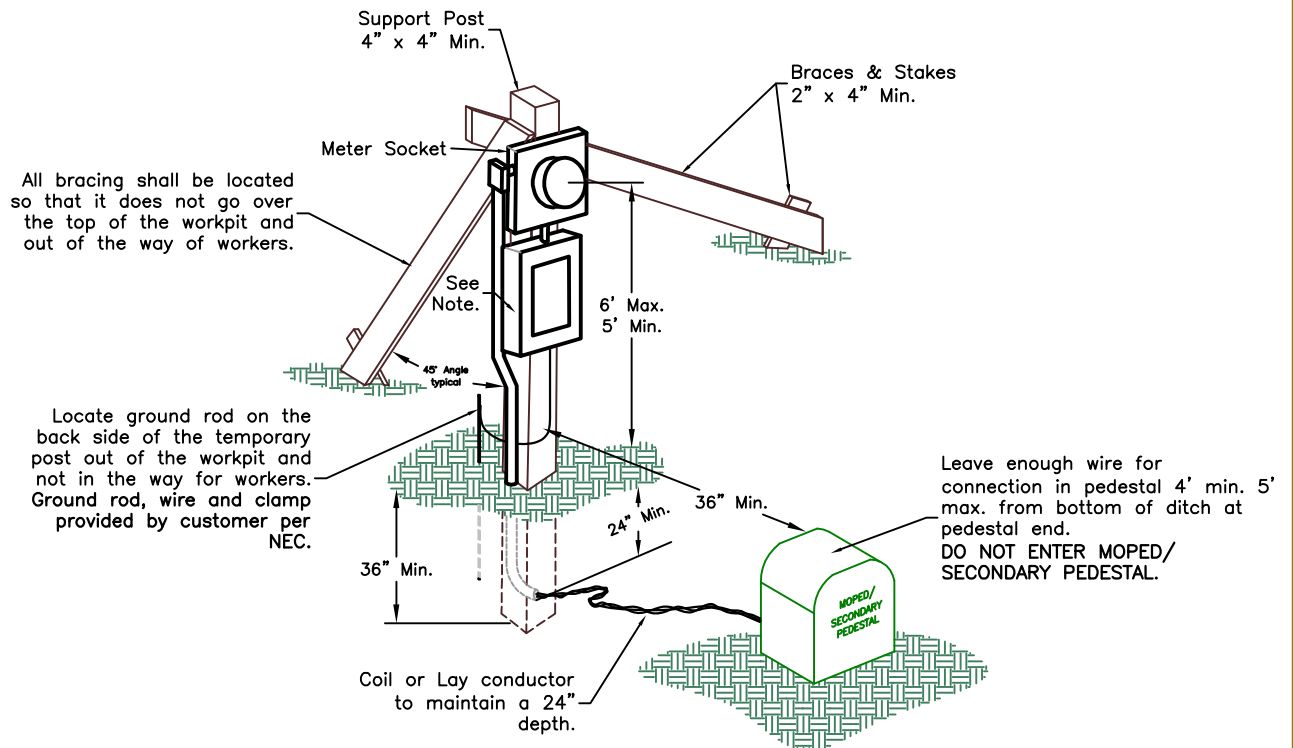


TEMPORARY METER POLE PLACEMENT

UNDERGROUND INSTALLATION



NOTE:

The customer shall furnish and install all required equipment.